

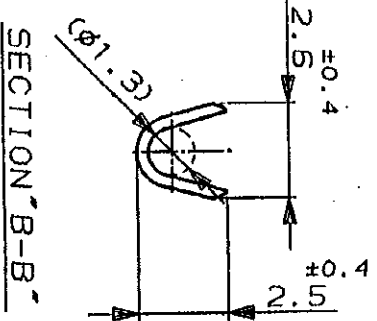
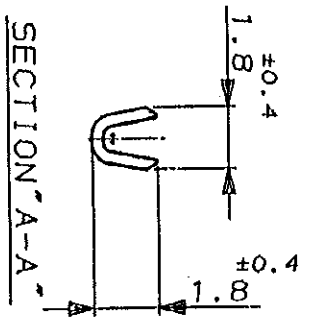
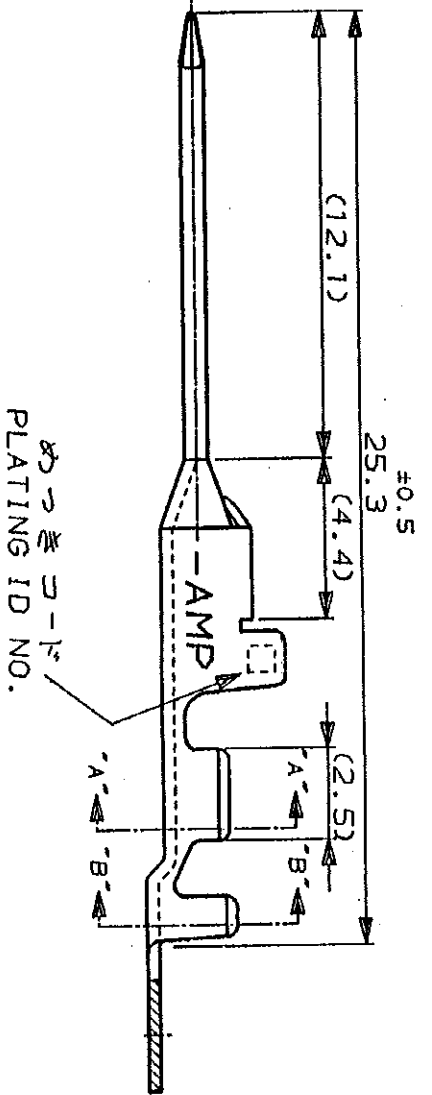
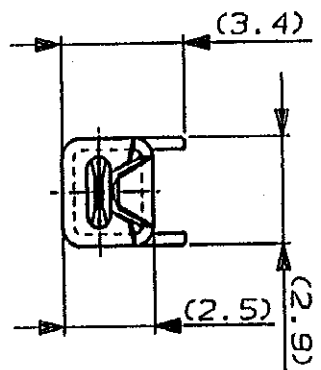
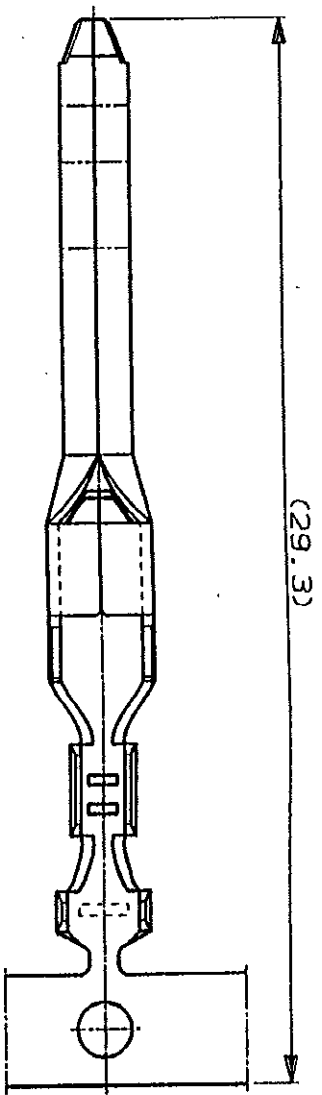
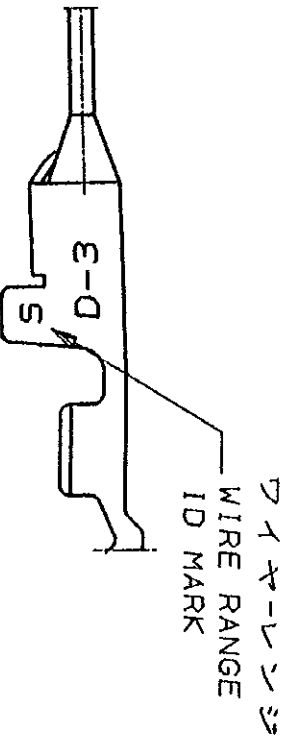
NUMBER
C-175284

METRIC
三角法 (3rd ANGLE PROJECTION)

U.855-111>U.DWG>S.C89-25173 WAS 91-25168-2,4,5
単位: ㎜ DIMENSIONS IN MM. DO NOT SCALE PRINT

PRINT DIST

REV. 10/78



注記

△ 金めっきは接触部のみとする

NOTE
△ GOLD-PL. CONTACT AREA ONLY

LTR	変更 (REVISION RECORD)	DR	CHK	DATE
0	RELEASED (F-1371)	NM	SH	82.5.2

5	光沢鍍めつき (BRIGHT TIN-PL.)	仕上 (FINISH)
3	△ 0.75μm最小金めつき (0.75μmMIN. Au-PL.)	仕上 (FINISH)
2	△ 0.38μm最小金めつき (0.38μmMIN. Au-PL.)	仕上 (FINISH)

Copyright ©1991 AMP (Japan), LTD. ALL RIGHTS RESERVED.

AWG 28-24 0.8-1.4 mmφ

材料 (CATERIAL) (COPPER ALLOY) 調合

DR. 2 MAR 82 9. Mitsuoka

DEF. 2 MAR 82 9. Mitsuoka

APP. 5 MAR 82 S. Mitsuoka

AMP (DYNAMIC D-3 SERIES TAB. CONTACT)

SIZE LOC 番号 (No.)

B J C-175284

尺 (SCALED) REV. 0 SHEET 1 OF 1

(CUSTOMER DRAWING) 参考面